

23V/8A Sync. Step-Down Converter Evaluation Board

Parameters Subject to Change Without Notice

FEATURES

- 5.5V to 23V operating input range
8A output current
- Up to 95% efficiency
- High efficiency at light load
- 650kHz frequency
- Fixed 5V LDO output supplies 200mA
- Input under voltage lockout
- Power good indicator
- Output discharge function
- Output Over/Under Voltage Protection
- Output short protection
- Thermal protection
- Available in QFN3X3-20 package

APPLICATIONS

- Distributed Power Systems
- Networking Systems
- FPGA, DSP, ASIC Power Supplies
- Notebook Computers
- Green Electronics/ Appliances

DESCRIPTION

The JW[®]5068C is a monolithic buck switching regulator based on I2 architecture for fast transient response. Operating with an input range of 5.5V~23V, JW5068C delivers 8A of continuous output current with two integrated N-Channel MOSFETs. The internal synchronous power switches provide high efficiency without the use of an external Schottky diode. At light loads, the regulator operates in low frequency to maintain high efficiency and low output ripples.

JW5068C guarantees robustness with output short protection, thermal protection, current run-away protection, and input under voltage lockout.

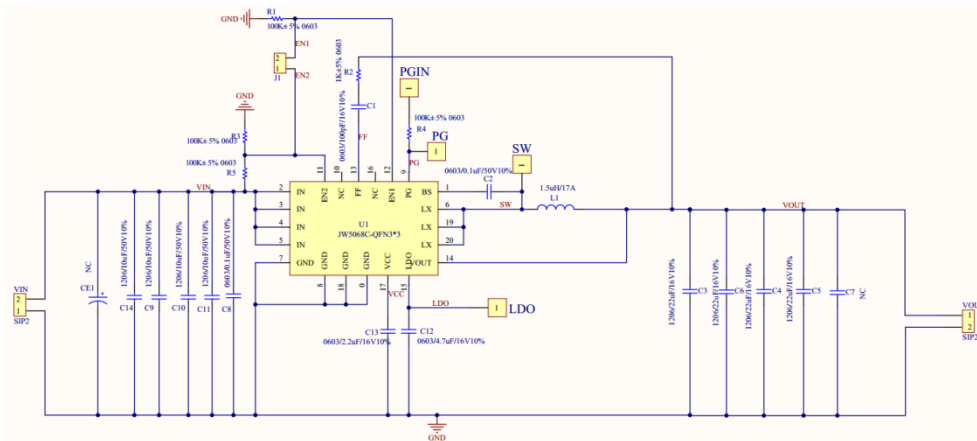
JW5068C is available in QFN3×3-20 package, which provide a compact solution with minimal external components.

ELECTRICAL SPECIFICATIONS

Parameter	Symbol	Value	Unit
Input Voltage	VIN	5.5~23	V
Output Voltage	VOUT	5.1	V
Output Current	IOUT	0~8	A

EVALUATION BOARD AND TYPICAL PERFORMANCE

SCHEMATIC



BILL OF MATERIALS

Qty	Designator	Value	Description	Package	Manufacturer	Manufacturer P/N
1	C1, C8	100pF	Ceramic capacitor 16V ,X7R	0603C	SAMSUNG	CL10B104K08NNNC
2	C2, C8	100nF	Ceramic capacitor 50V ,X7R	0603C	MURATA	GRM31BR72H223KW10L
4	C3,C4,C5, C6	22uF	Ceramic capacitor 16V ,X7R	1206C	MURATA	GRM31BR72H225KW10L
0	C7	NC				
4	C9,C10, C11,C14	10uF	Ceramic capacitor 50V ,X7R	1206C	MURATA	GRM31BR73A222KW01L
1	C12	4.7uF	Ceramic capacitor 16V ,X7R	0603C	MURATA	CL21B105KOFVVVE
1	C13	2.2uF	Ceramic capacitor 16V ,X7R	0603C	MURATA	GRM31BR72H33KW10L
0	CE1	NC				
1	L1	1.5uH/17A	Inductor		WURTH	7447786122
4	R1, R3,R4,R5	100k	Resistor,5%	0603R	uniohm	0603F3001T5E
1	R2	1k	Resistor,5%	0603R	uniohm	0603F3003T5E
1	VIN	4V~23V		TEST-Pole		
1	VOUT	5.1V/8A		TEST-Pole		
1	JW5068C	23V/8A	Buck	QFN3X3-20	Joulwatt	JW5068C

PRINTED CIRCUIT BOARD LAYOUT

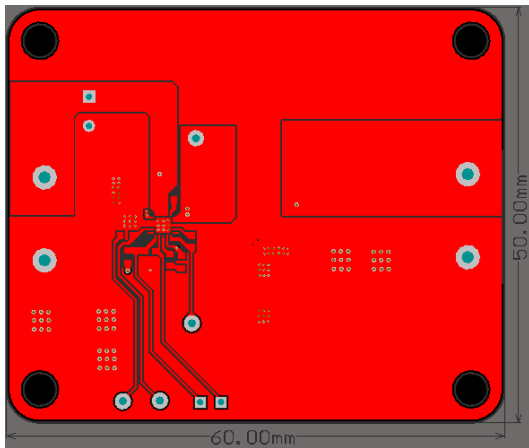


Figure1—Top Layer

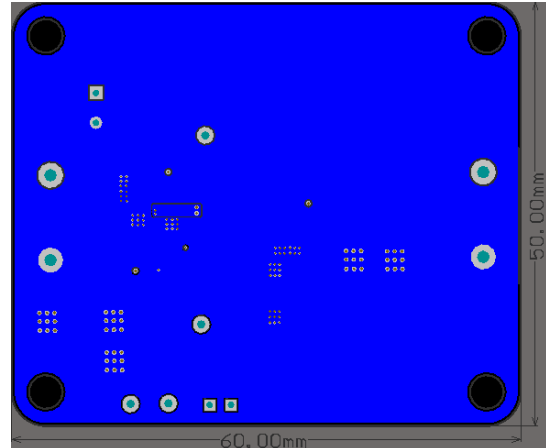


Figure2—Bottom Layer

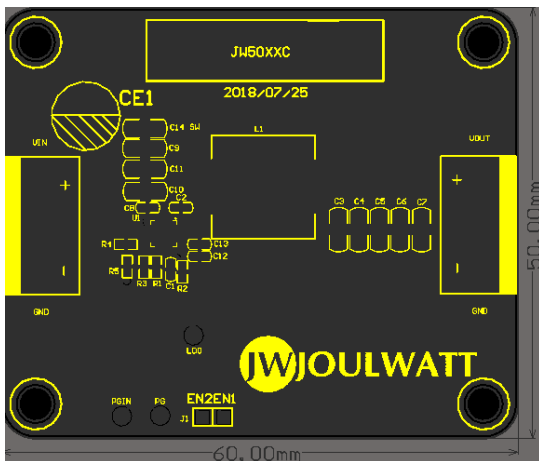


Figure3—Top Silk Layer

QUICK START GUIDE

1. Connect the positive terminal and negative terminal of the load to Vout and GND of EVB, respectively.
2. Connect a power supply between VIN and GND with the supply in “OFF” state. Set the output voltage of the power supply to 5.5V~23V.
3. Turn on the power supply and the evaluation board starts operating in normal condition.
4. For more information, please refer to the datasheet of JW5068C.

IMPORTANT NOTICE

- Joulwatt Technology Inc. reserves the right to make modifications, enhancements, improvements, corrections or other changes without further notice to this document and any product described herein.
- Any unauthorized redistribution or copy of this document for any purpose is strictly forbidden.
- Joulwatt Technology Inc. does not warrant or accept any liability whatsoever in respect of any products purchased through unauthorized sales channel.

JoulWatt Confidential

Copyright © 2017 EV5068C Incorporated.

All rights are reserved by Joulwatt Technology Inc.