

Parameters Subject to Change Without Notice

FEATURES

- Controller for adaptive 100/120Hz current ripple remover
- Built-in zener diode for input voltage clamping
- VG output voltage high to 10V
- Programmable amplitude of LED current ripple
- Programmable maximum cathode voltage of LED
- Programmable maximum LED current
- Short protection
- Over temperature protection
- SOT23-6L Package

APPLICATIONS

- LED lighting

ELECTRICAL SPECIFICATIONS

Parameter	Symbol	Value	Unit
LED Voltage	VOUT	40	V
LED Current	IOUT	1.2	A

DESCRIPTION

JW1221 uses for removing the 100/120Hz LED current ripple on AC/DC power.

The adaptive technology of JW1221 ensures minimum power dissipation on NMOSFET while removing LED current ripple.

JW1221 clamps the input voltage on VIN pin by 30V. Only one resistor is needed when the output voltage of AC/DC power is higher than 30V.

JW1221 allows user to setup maximum LED current by the sensing resistor between the source of NMOSFET and ground, which keeps NMOSFET damaged when LED short connected or hot-plug.

By sensing the drain voltage of NMOSFET via a resistor between the drain and VLMT pin, JW1221 allows user to setup the maximum cathode voltage of LED string, which could help limit the power dissipation on chip.

It's considered that LED is shorted when the cathode voltage of LED is higher than short connecting threshold and remains over 0.5 second. JW1221 shuts down NMOSFET when LED is shorted.

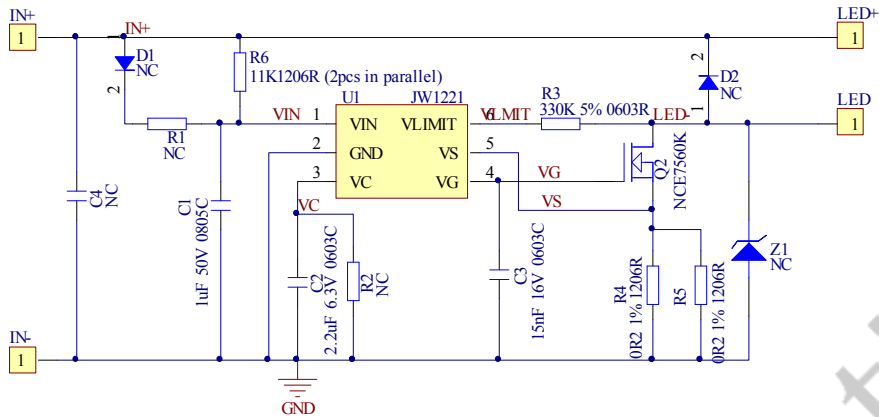
JW1221 provides over thermal protection. When OTP is triggered, the current removing function is blocked, and then the temperature decreases.

EVALUATION BOARD

EV1221_S0_R0 3.5cm*2.7cm



SCHEMATIC



BILL OF MATERIALS

Quantity	Designator	Comment	Description	Footprint	Manufacturer	Manufacturer P/N
1	C1	1uF 50V 0805C	Ceramic Cap,X7R	0805C		
1	C2	2.2uF 6.3V 0603C	Ceramic Cap,X7R	0603C		
1	C3	15nF 16V 0603C	Ceramic Cap,X7R	0603C		
0	C4	NC	Cap	1206C		
0	D1	NC	Diode	D1206		
0	D2	NC	Diode	D1206		
2	R6	11K 5% 1206R Two pieces in parallel	Resistor	1206R		
1	Q1	75V 60A	N-MOSFET	TO-252		NCE7560K
0	R1	NC	Resistor	0805R		
0	R2	NC	Resistor	0603R		
1	R3	330k 5% 0603R	Resistor	0603R		
1	R4,	0R2 1% 1206R	Resistor	1206R		
1	R5	0R2 1% 1206R	Resistor	1206R		
1	Z1	JW1221	IC	SOT23-6	Joulwatt	JW1221
0	U1	NC	Zener	DO-41		

PRINTED CIRCUIT BOARD LAYEROUT

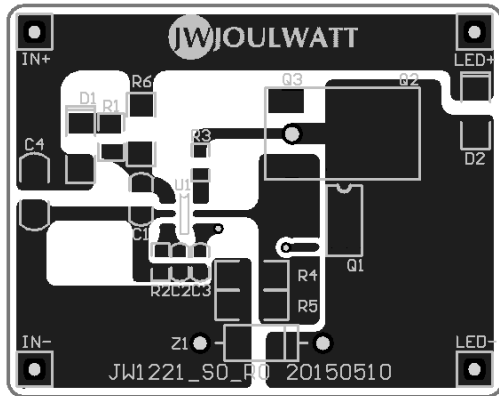


Figure1—Top Layer

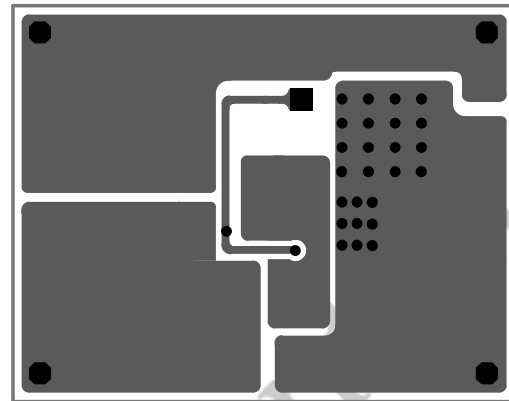


Figure2—Bottom Layer

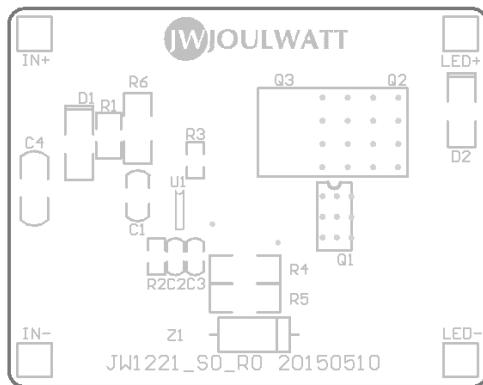


Figure3—Silk Layer

QUICK START GUIDE

1. Connect the IN+&IN- of the EVB to the output of the pre-driver and connect the positive terminal and negative terminal of the load to LED+&LED-, respectively.
2. The load must be LEDs when you test the characteristics of the EVB.
3. Turn on the power supply of the pre-driver, the evaluation board starts operating in normal condition.
4. The output current ripple is adjustable by varying the C2 on the evaluation board.
5. Any other parameters change, please refer to the datasheet of JW1221.
6. For more information, please refer to the datasheet of JW1221.

TYPICAL PERFORMANCE CHARACTERISTICS

JoulWatt Confidential

IMPORTANT NOTICE

- Joulwatt Technology Inc. reserves the right to make modifications, enhancements, improvements, corrections or other changes without further notice to this document and any product described herein.
- Any unauthorized redistribution or copy of this document for any purpose is strictly forbidden.
- Joulwatt Technology Inc. does not warrant or accept any liability whatsoever in respect of any products purchased through unauthorized sales channel.

JoulWatt Confidential

Copyright© 2015 EV1221_S0_R0 Incorporated.

All rights are reserved by Joulwatt Technology Inc.