

Parameters Subject to Change Without Notice

DESCRIPTION

The JW[®]5015A is a current mode monolithic buck switching regulator. Operating with an input range of 3.6V~40V, the JW5015A delivers 2A of continuous output current with two integrated N-Channel MOSFETs. The internal synchronous power switches provide high efficiency without the use of an external Schottky diode. At light loads, regulators operate in low frequency to maintain high efficiency and low output ripple. Current mode control provides tight load transient response and cycle-by-cycle current limit.

The JW5015A guarantees robustness with short-circuit protection, thermal protection, start-up current run-away protection, and input under voltage lockout.

The JW5015A is available in 8-pin ESOP package, which provides a compact solution with minimal external components. The package has an exposed pad for low thermal resistance.

Company's Logo is Protected, "JW" and "JOULWATT" are Registered Trademarks of JoulWatt technology Inc.

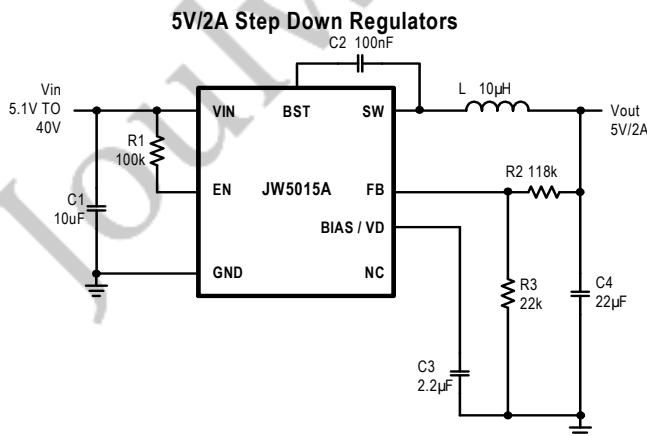
FEATURES

- 3.6 V to 40 V operating input range
- 2A output current
- Up to 94% efficiency
- High efficiency (>78%) at light load
- Internal Soft-Start
- Fixed 440kHz Switching frequency
- Input under voltage lockout
- Available in thermally enhanced ESOP8 package
- Start-up current run-away protection
- Short circuit protection
- Thermal protection

APPLICATIONS

- Distributed Power Systems
- Networking Systems
- FPGA, DSP, ASIC Power Supplies
- Green Electronics/ Appliances
- Notebook Computers

TYPICAL APPLICATION



Efficiency vs Load Current (Vout = 5V)

