

Parameters Subject to Change Without Notice

DESCRIPTION

The JW[®]5018 is a current mode monolithic buck switching regulator. Operating with an input range of 4.7V~40V, the JW5018 delivers 600mA of continuous output current with two integrated N-Channel MOSFETs. The internal synchronous power switches provide high efficiency without the use of an external Schottky diode. At light loads, the regulator operates in low frequency to maintain high efficiency and low output ripple. Current mode control provides tight load transient response and cycle-by-cycle current limit.

The JW5018 guarantees robustness with short-circuit protection, thermal protection, current run-away protection, and input under voltage lockout.

The JW5018 is available in 6-pin SOT23-6 package, which provides a compact solution with minimal external components.

Company's Logo is Protected, "JW" and "JOULWATT" are Registered

Trademarks of JoulWatt technology Inc.

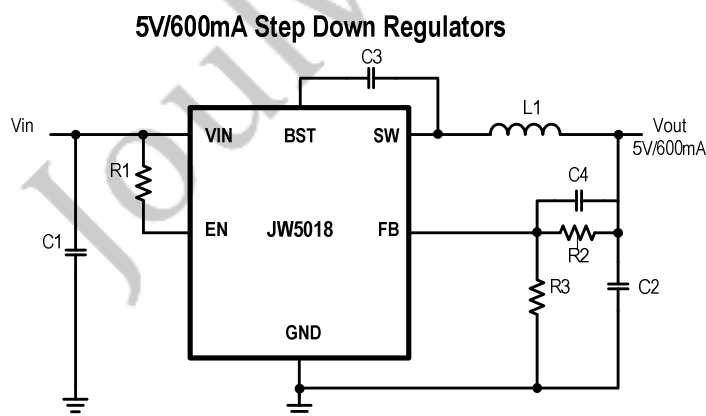
FEATURES

- 4.7V to 40V operating input range
- 600mA output current
- Up to 93% efficiency
- High efficiency (>78%) at light load
- Internal Soft-Start
- 2MHz switching frequency
- Input under voltage lockout
- Current run-away protection
- Short circuit protection
- Thermal protection
- Available in SOT23-6 package

APPLICATIONS

- Distributed Power Systems
- Automotive Systems
- High Voltage Power Conversion
- Industrial Power Systems
- Battery Powered Systems

TYPICAL APPLICATION



Efficiency @ Vout=5V

