

*Parameters Subject to Change Without Notice*

### DESCRIPTION

JW<sup>®</sup>7715 is a synchronous rectifier controller, used for the secondary side rectification of isolation Flyback, converter. By driving an external MOSFET, JW7715 is able to significantly improve the efficiency comparing with the conventional Diode rectifier.

When JW7715 senses  $V_{ds}$  of MOSFET less than -300mV, it turns on the MOSFET. Once the  $V_{ds}$  is greater than -10mV, JW7715 turns off the MOSFET.

JW7715 supports multiple operation modes, such as DCM, CrCM, CCM and Quasi-Resonant. By implementing the Joulwatt proprietary technology, JW7715 is able to handle CCM operation.

JW7715 is available in SOT23-6 package..

Company's Logo is Protected, "JW" and "JOULWATT" are Registered Trademarks of JoulWatt technology Inc.

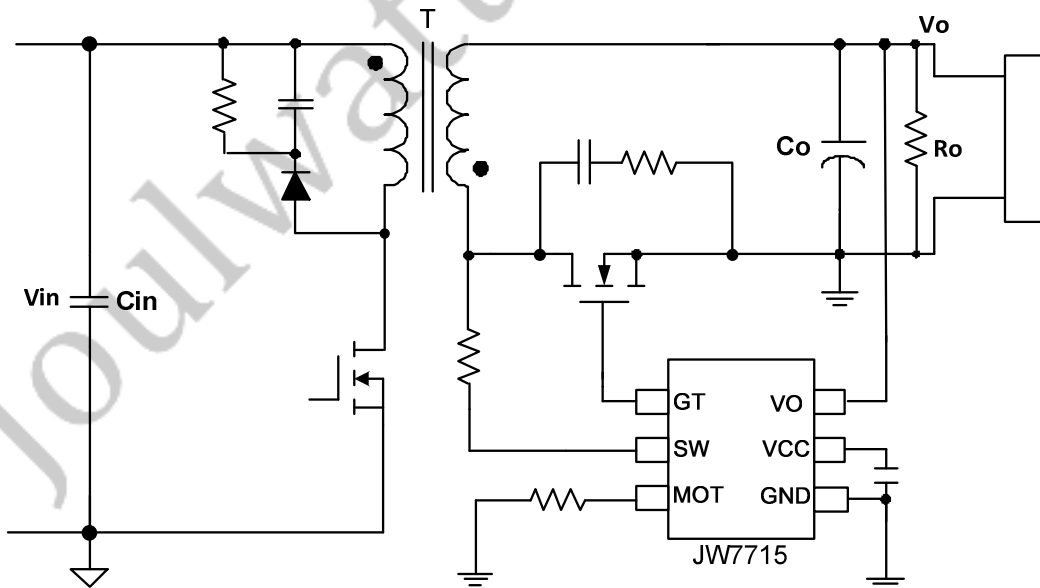
### FEATURES

- Supports DCM, Quasi-Resonant, CrCM and CCM operation
- Support the Flyback converter
- Supports High-side and Low-side Rectification
- Output voltage directly supply VCC
- Low quiescent current
- Under-voltage protection
- Fast driver capability for CCM operation
- SOT23-6 package

### APPLICATIONS

- Flyback and LLC converters
- Adaptor
- LCD and PDP TV

### TYPICAL APPLICATION



**Figure A: JW7715 Typical Application for Flyback Converter with Low Output Voltage.**