

Parameters Subject to Change Without Notice

DESCRIPTION

JW[®]7700A is a synchronous rectifier for Flyback converters. It integrates a 40V power MOSFET that can replace Schottky diode for high efficiency. It turns on the internal MOSFET if the $V_{SW} < -500mV$ and turns it off before the current from GND to SW is lower than zero.

Company's Logo is Protected, "JW" and "JOULWATT" are Registered Trademarks of JoulWatt technology Inc.

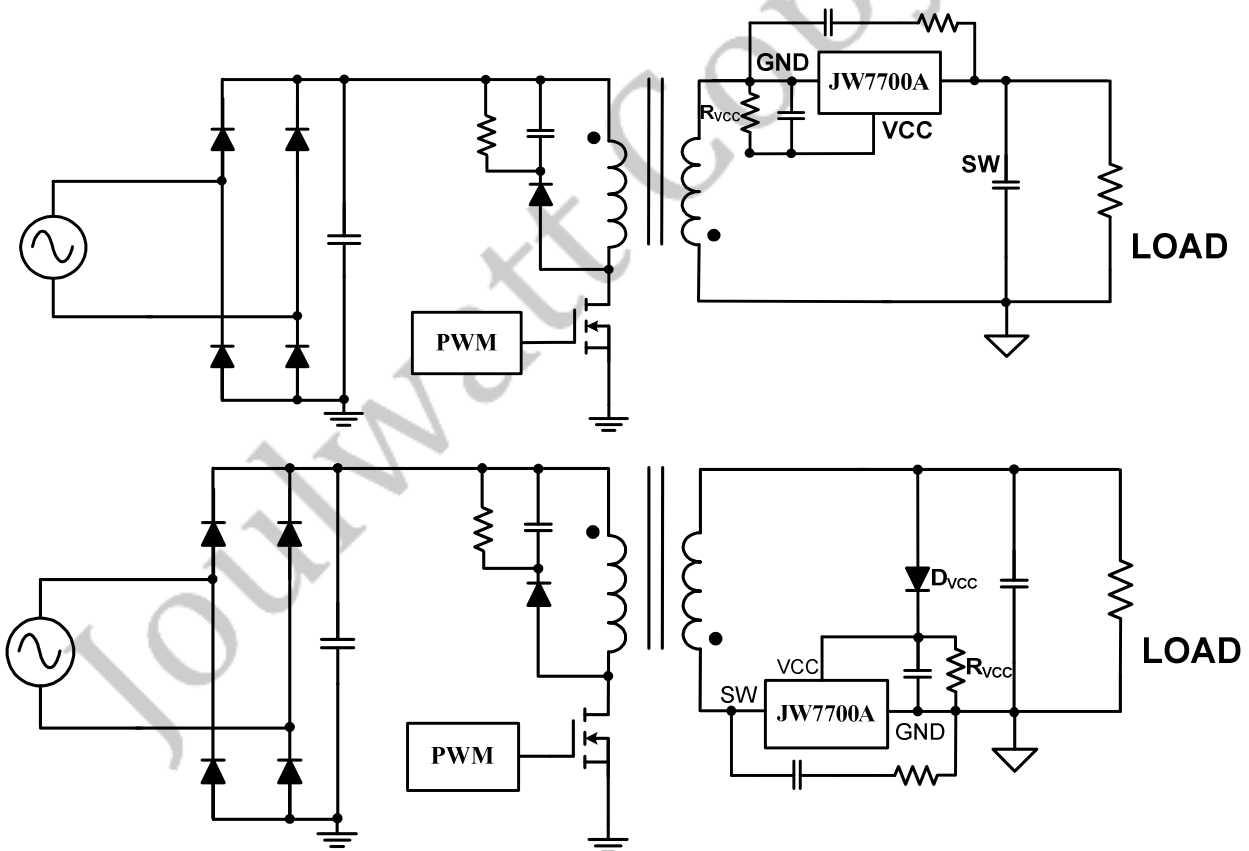
FEATURES

- Supports DCM and Quasi-Resonant Flyback converter
- Integrated 15mΩ 40V Power MOSFET
- Supports High-side and Low-side Rectification
- No need external power supply

APPLICATIONS

- Flyback converters
- Adaptors

TYPICAL APPLICATION



Note 1: R_{VCC} is recommended in case IC is damaged in CCM.

Note 2: D_{VCC} is recommended if VCC voltage is too low in light load.