

Parameters Subject to Change Without Notice

DESCRIPTION

JW[®]7717 is a synchronous rectifier, used for the secondary side rectification of Flyback. By driving an internal MOSFET, JW7717 is able to significantly improve the efficiency comparing with the conventional Diode rectifier.

When JW7717 senses V_{DS} of internal MOSFET less than -300mV, it turns on the internal MOSFET. Once the V_{SW} is greater than -10mV, JW7717 turns off the internal MOSFET.

JW7717 supports multiple operation modes, such as DCM, CrCM, CCM and Quasi-Resonant. By implementing the Joulwatt proprietary technology, JW7717 is able to handle CCM operation.

JW7717 is available in SOP-8 package.

Company's Logo is Protected, "JW" and "JOULWATT" are Registered Trademarks of JoulWatt technology Inc.

FEATURES

- Supports DCM, Quasi-Resonant, CrCM and CCM operation
- Support the Flyback topology
- Supports High-side and Low-side Rectification
- Output voltage directly supply VCC
- Low quiescent current
- Under-voltage protection
- Fast driver capability for CCM operation
- SOP8 package

APPLICATIONS

- Flyback converter
- Adaptor

TYPICAL APPLICATION

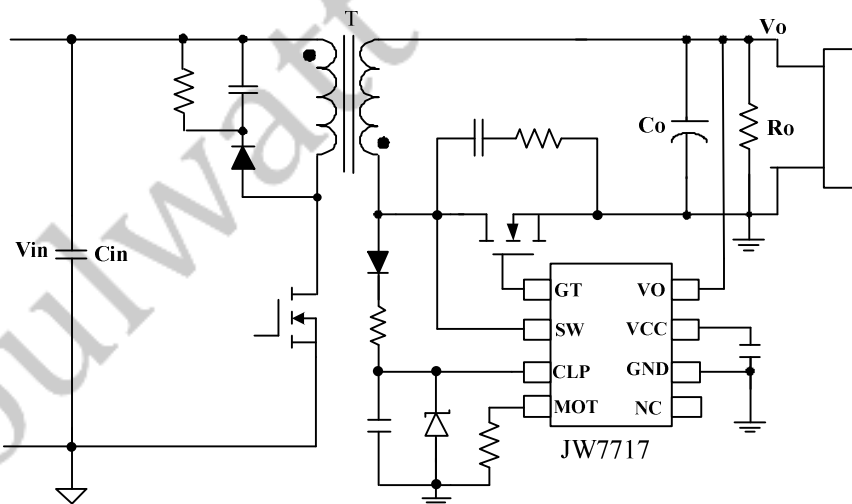


Figure A: JW7717 Typical Application for Flyback Converter